


AMERICAN MADE AMERICAN PRIDE AMERICAN QUALITY AMERICAN MADE AMERICAN MA  
AN QUALITY AMERICAN MADE AMERICAN PRIDE AMERICAN QUALITY AMERICAN MA  
AN PRIDE AMERICAN QUALITY AMERICAN MADE AMERICAN PRIDE A AMERICAN QUAL  
MADE AMERICAN PRIDE AMERICAN QUAL AMERICAN MADE AMERICAN PRIDE AME  
Y AMERICAN MADE AMERICAN PRIDE AMERICAN MADE AMERICAN PRIDE AMERIC  
AMERICAN QUALITY AMERICAN MADE AMERICAN PRIDE AMERICAN MADE AMERIC  
AMERICAN PRIDE AMERICAN QUALITY AMERICAN MADE AMERICAN PRIDE AMERICA



**DeckWise**.com



AMERICAN QUALITY  
**AMERICAN MADE**  
AMERICAN PRIDE™

**2017** CATALOG



AMERICAN MADE AMERICAN PRIDE AMERICAN QUALITY AMERICAN MADE AMERICAN MA  
AN QUALITY AMERICAN MADE AMERICAN PRIDE AMERICAN QUALITY AMERICAN  
Manufacturers of Hidden Deck Fasteners & Accessories

# ABOUT OUR COMPANY



**DECKWISE®**, THE IPE CLIP® FASTENER CO., LLC, manufactures the patented Ipe Clip® Hidden Deck Fastener with a stainless steel reinforcing insert for use on exotic hardwoods, thermal woods, composite and PVC decking at our U.S.A. facility in Bradenton, Florida.

Our flagship **EXTREME™** series of Hidden Deck Fasteners provide fast installations resulting in a professionally built smooth and elegant finish.

The DeckWise® line of deck building products range from stainless steel deck screws, a board straightening tool, board

gap spacers, hardwood plug kits, 3-in-1 drill bit set, hardwood oil finish, end grain sealer, cable railing, deck tiles and support pedestals as well as hidden siding fasteners. DeckWise® offers an all-in-one source for everyone's complete deck building needs.

**DeckWise®.com**

Manufacturers of Hidden Deck Fasteners & Accessories

**1** DeckWise® hardwood deck tiles with connector system installation.

**2** Composite decking installed with DeckWise® Extreme4™ hidden deck fastener system.

**3** Beautiful hardwood stairs fastened down by DeckWise® hidden fasteners.

**4** Poolside deck fastened using DeckWise® Ipe Clip® ExtremeKD™ fasteners.



# MANUFACTURING DECKING SOLUTIONS...Revolutionizing the deck building industry.



DO IT ONCE,  
**DO IT RIGHT,**  
DO IT OUT OF SIGHT!™

**DeckWise**.com 



4

Having an in-house team of engineers, designers, machinists, mold makers, and experts at our state-of-the-art manufacturing facility in Bradenton, FL, gives us a leading edge in creating and designing the best deck building products on the market. We continue testing and improving every product we put our name on.

If it says DeckWise® — you know you are using the best there is.

# TABLE OF CONTENTS

|  |    |
|--|----|
| DeckWise® Ipe Clip® Hidden Deck Fasteners .....                    | 6  |
| DeckWise® Ipe Clip® Hidden Deck Fasteners Contractor Buckets ..... | 8  |
| DeckWise® #8 Trim-Head Deck Screws .....                           | 10 |
| DeckWise® #10 Bugle-Head All Purpose Screws.....                   | 12 |
| DeckWise® #8 Heat-Treated Deck Screws.....                         | 14 |
| DeckWise® #7 Metal Joist Self-Tapping Screws .....                 | 16 |
| DeckWise® #10 Composite Decking Screws .....                       | 18 |
| DeckWise® Hardwood Plugs (Smooth & Ribbed) .....                   | 20 |
| DeckWise® Ipe Oil™ Hardwood Finish .....                           | 22 |
| DeckWise® Ipe Seal™ End Grain Seal .....                           | 24 |
| DeckWise® Wood Deck Cleaner & Brightener .....                     | 25 |
| DeckWise® Hidden Siding Fasteners .....                            | 26 |
| DeckWise® Hardwood Deck Tiles & Trim .....                         | 28 |
| DeckWise® Deck Tile Connector System .....                         | 30 |
| DeckWise® Altitudes Pedestal™ System .....                         | 32 |
| DeckWise® Drill & Drive™ 3-In-1 Drill Bit Set.....                 | 34 |
| DeckWise® Hardwood Wrench™ Deck Board Straightening Tool.....      | 36 |
| DeckWise® WiseCable™ WiseRail™ Stainless Steel Railing Kits .....  | 38 |
| DeckWise® WiseGuides™ Deck Board Spacers .....                     | 40 |
| DeckWise® WiseWrap™ JoistTape™ & LedgerTape™ Deck Flashing.....    | 41 |
| DeckWise® Router Bits.....   | 42 |
| DeckWise® Drill Bits, Tips, Adhesive & Plug Cutters .....          | 43 |
| DeckWise® Hardwood Post Caps & Adhesives .....                     | 43 |

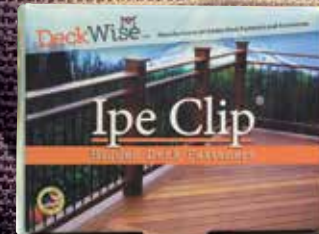
**NOTE:** Product colors, measurements, specifications and dimensions in catalog are approximate. Call for samples prior to ordering to ensure accuracy.

## CUSTOM CO-BRANDING

Programs available for dealers & distributors on select DeckWise® decking products.

Call **866-427-2547** for complete details.

**YOUR COMPANY HERE!**



# HIDDEN DECK FASTENERS

Manufactured By DeckWise®

# Ipe Clip®

Hidden Deck Fasteners



The DeckWise® Ipe Clip®  
**EXTREME™** Hidden  
Deck Fastener line  
features a hardened  
stainless steel insert  
with a black oxide  
coating. The insert  
is molded inside

the fastener for the  
ultimate concealed look with supreme  
reinforcing hold-down strength.

Every hardwood deck built with the  
DeckWise® Ipe Clip® EXTREME™ hidden  
deck fastener series will produce a  
smooth, beautiful  
and longer-  
lasting deck for  
generations to  
come.



{ Available in our **3 SIGNATURE COLORS**  
to match your decking. }



Shadowline Black • Hardwood Brown • Composite Gray

## COMPLETE KIT CONTAINS

- (175) IPE CLIP® Hidden Deck Fasteners
- (190) Stainless Steel Star Drive Deck Screws
- (12) 3/8" Tapered Ipe Plugs
- (1) 1/8" High Speed Drill Bit
- (1) T15 Star Drive Tip
- (3) Deck Board Spacers
- (1) Instruction Sheet

## 100 CT. KIT CONTAINS

- (100) IPE CLIP® Hidden Deck Fasteners
- (100) Stainless Steel Star Drive Deck Screws
- (3) Deck Board Spacers
- (1) Instruction Sheet

Deck Screws can be ordered in multiple sizes, types  
and colors depending on your decking application.

Deck Board Spacers Are Included In EXTREME4™ And EXTREMEKD™ Kits Only.

Use With Exotic Hardwoods, Composite Decking, & Thermally Modified Softwoods!

# EXTREME™

Gap Spacing 3/32" (2,4mm)

# EXTREME4™

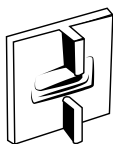
Gap Spacing 5/32" (4mm)

# EXTREMEKD™

Gap Spacing 1/4" (6,4mm)

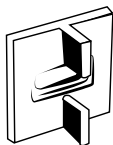


Recommended for use with:  
**Air-Dried Lumber  
& Composites**



Hardened stainless steel insert with a black oxide coating inside rigid UV and chemical-resistant polypropylene.

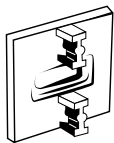
Thinner leg maintains a perfect gap when deck material naturally contracts and expands.



Short leg height = .242" (6,14 mm)  
Tall leg height = .375" (9,525 mm)



Recommended for use with:  
**Air-Dried, Kiln-Dried  
Lumber, & Composites**



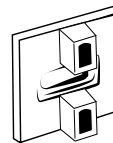
Hardened stainless steel insert with a black oxide coating inside UV and chemical-resistant polyethylene.

Versatile leg is compatible with most decking materials. Leg returns to it's original shape as decking material expands and contracts.

Leg height = .242" (6,14 mm)



Recommended for use with:  
**Kiln-Dried Lumber,  
Composites, & PVC**



Hardened stainless steel insert with a black oxide coating inside UV and chemical-resistant polyethylene.

Hollow leg acts as a shock absorber as decking material expands and contracts.

Leg height = .242" (6,14 mm)

EXTREME™ Ipe Clip® Series - U.S. Patent Numbers D485,160 and 8,464,488. Original, "round", STANDARD Ipe Clip® - U.S. Patent No. D470,039; licensed under U.S. Patent No. 6,402,415.

# CONTRACTOR BUCKETS

2 & 5 GALLONS

Manufactured By DeckWise®

Use with exotic **HARDWOODS**,  
**THERMALLY MODIFIED SOFTWOODS**  
& **COMPOSITE DECKING.**

The **CONTRACTOR BUCKETS** from DeckWise® were designed with professional contractors in mind. Containing enough Ipe Clip® fasteners, deck screws and accessories for the largest decking projects; everything deck builders need to get the job done.

DeckWise® Contractor Buckets are available in both 525 and 1050 quantity containers.



## 2 Gal. Contractor Bucket

- (525) IPE CLIP® Hidden Deck Fasteners
- (570) #8x2" Colormatch Black Stainless Steel Star Drive Trim-Head Deck Screws
- (3) 1/8" High Speed Drill Bit
- (3) T15 Star Drive Tip
- (6) Deck Board Spacers
- (1) Instruction Sheet

## 5 Gal. Contractor Bucket

- (1050) IPE CLIP® Hidden Deck Fasteners
- (1140) #8x2" Colormatch Black Stainless Steel Star Drive Trim-Head Deck Screws
- (5) 1/8" High Speed Drill Bit
- (5) T15 Star Drive Tip
- (6) Deck Board Spacers
- (1) Instruction Sheet

Deck Board Spacers are Included in EXTREME4™ and EXTREMEKD™ Buckets Only.



DeckWise® Ipe Clip®  
Limited Warranty



# Ipe Clip<sup>®</sup>

Hidden Deck Fasteners



EXTREME™ EXTREME4™ EXTREMEKD™

(Page 6-7)



#8x2" Black Colormatch Stainless Steel Deck Screws

(Page 10-11)



Deck Board Spacers 5/32" OR Deck Board Spacers 1/4"

(Page 40)



T15 Star Drive Tip

(Page 43)



1/8" Drill Bit



2 Gal. Contractor Bucket



5 Gal. Contractor Bucket

# STAINLESS STEEL TRIM-HEAD DECK SCREWS

Distributed By DeckWise®

**#8 STAINLESS STEEL  
DECK SCREWS**  
For hardwoods & thermally  
modified softwoods.

Builders know the DeckWise® brand of stainless steel **TRIM-HEAD** deck screws are a great way to ensure deck boards stick tight to joists with hidden deck fasteners. As part of the DeckWise® line of deck building products, our Colormatch screws give builders and DIY homeowners a reliable and secure way to fasten most types of decking material. From exotic hardwoods to thermally modified softwoods and composites, we've got you covered.



- 305 grade stainless steel provides anti-corrosion benefits (Also available in 316 marine grade stainless steel. Call for availability.)
- T15 Star Drive finish heads for less stripping
- Type 17 auger tip for easy penetration





Hidden Deck Fastening  
Exotic Hardwoods



Face Screw Exotic Hardwoods  
& Thermally Modified Softwoods



Hidden Deck Fastening  
Thermally Modified Softwoods

 Shadowline Black

 Hardwood Brown

 Stainless Steel

 Cedar

 Rosy Brown

 Outdoor Gray



| Sizes Available    | 100 count | 350 count | 1050 count | 1750 count |
|--------------------|-----------|-----------|------------|------------|
| #8x1" (4x25mm)     | ✓         | ✓         | ✓          | ✓          |
| #8x1-1/2" (4x38mm) | ✓         | ✓         | ✓          | ✓          |
| #8x2" (4x50mm)     | ✓         | ✓         | ✓          | ✓          |
| #8x2-1/2" (4x64mm) | ✓         | ✓         | ✓          | ✓          |
| #8x3-1/8" (4x79mm) | ✓         | ✓         | ✓          | ✓          |

Colormatch Your #8 Deck Screws To Your Decking Material With 6 Signature Color Choices.

# STAINLESS STEEL BUGLE-HEAD DECK SCREWS

Distributed By DeckWise®

**#10 STAINLESS STEEL  
DECK SCREWS**

For all types of deck building needs.

The DeckWise® **BUGLE HEAD T25** stainless steel decking screws are perfect for any patio or deck project including many framing projects. The double countersink flat bugle head has 6 nibs and utilizes a 6 lobe star drive to reduce cam-out and increase torque. This screw is a chipboard thread screw with partial thread and triple spline (one at the beginning on the

thread and two at the end of point). Easily penetrate dense hardwoods with the Type 17 point.

DeckWise® Colormatch #10 decking screws are made from high-quality 305 grade stainless steel for optimum performance with hardwoods, thermally modified softwoods, as well as composite decking material.

- 305 grade stainless steel for optimum anti-corrosion performance (Also available in 316 marine grade stainless steel. Call for availability.)
- T25 Star Drive finish heads
- Type 17 Auger tip for quick installation

#10x3-1/8"



#10x2-1/2"





-  Hardwood Brown
-  Stainless Steel
-  Cedar
-  Outdoor Gray



| Sizes Available     | 100 count | 350 count | 1050 count | 1750 count |
|---------------------|-----------|-----------|------------|------------|
| #10x2-1/2" (5x64mm) | ✓         | ✓         | ✓          | ✓          |
| #10x3-1/8" (5x79mm) | ✓         | ✓         | ✓          | ✓          |

Colormatch Your #10 Deck Screws To Match Decking Material With 4 Signature Color Choices.

# STAINLESS STEEL HEAT-TREATED DECK SCREWS

Distributed By DeckWise®

## #8 STAINLESS STEEL DECK SCREWS

Heat-treated for toughness.

The **DECKWISE® HTSS™** (Heat-Treated Stainless Steel) deck screws offer our specially engineered four-sided tips with a serrated thread design to minimize board splitting or splintering, even when screwing near the edge.

Our HTSS™ screws are an 18-8 heat treated screw for hardened toughness and feature the patented TTAP® T15 Star Drive head with locking nib. This means, less stripping, less snapping and less headaches when installing hidden deck fasteners, hidden siding fasteners or face screwing.

This screw design has been engineered exclusively for DeckWise® to make hidden fastener installations quicker than ever.

#8x1-3/4" & #8x2"



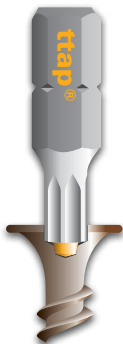
- **ttap®** T15 Star Drive head for less slipping
- Heat treated for hardened toughness
- Serrated saw threads remove sawdust
- Four sided tip for self-drilling



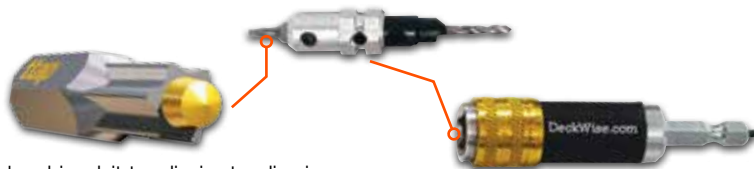
\* TTAP® is a registered trademark of Ttap Drive AS.

**DECKWISE® HTSS™** are heat treated (baked) for hardened toughness and longevity on exotic or thermal wood decking. We suggest using the DeckWise® Drill & Drive™ drill bit set which comes with 1/8" bits, T15 tips and a 3/8" countersink.

NOTE: Pre-drilling is always suggested for quick installations of fasteners including countersinking for screw heads.



LESS STRIPPING, LESS SNAPPING,  
LESS HEADACHES!



Locking bit to eliminate slipping.

Use in conjunction with the DeckWise® Drill & Drive™.



| Sizes Available    | 100 count | 350 count | 1050 count | 1750 count |
|--------------------|-----------|-----------|------------|------------|
| #8x1-3/4" (4x45mm) | ✓         | ✓         | ✓          | ✓          |
| #8x2" (4x50mm)     | ✓         | ✓         | ✓          | ✓          |

DeckWise® HTSS™ Deck Screws Are Available As An Option In All Ipe Clip® Hidden Deck Fastener Kits.



# STAINLESS STEEL METAL JOIST DECK SCREWS

Distributed By DeckWise®

## #7 STAINLESS STEEL DECK SCREWS

Use on stainless steel  
and sub-framing.



More and more these days, contractors, architects and DIY deck builders are utilizing metal joist substructures to ensure longer-lasting, lower maintenance decks. The DeckWise® **SELF-TAPPING METAL JOIST DECK SCREW** is designed explicitly for metal joist applications.

This handy deck screw can be used to attach most types of decking material such as hardwoods, heat treated lumber, soft woods, composite and PVC with aluminum and steel substructures.

The self-tapping tip will penetrate metal joists underneath with ease. DeckWise® metal joist deck screws are high performance fasteners, which allow deck builders and architects to provide their customers with uniform and long-lasting clean surfaces when used with our Hidden Deck Fasteners.





#7x2-1/4"



#7x1-5/8"



## STAR RECESS & UNDERCUT HEAD

Deep T-15 star tip recess; specially engineered head which eliminates slipping and stripped heads.

## TRIPLE STRENGTH CORROSION RESISTANCE

410 stainless steel + Xylan coating + Bright hardening.

## SELF-DRILLING POINT

#3 drill point digs into decking material with ease and cleanly penetrates the underlaying steel or aluminum joists.



Shadowline Black • Hardwood Brown • Stainless Steel

Colormatch These #7 Deck Screws To Match Decking Material With 3 Signature Color Choices.

| Sizes Available      | 100 count | 350 count | 1050 count | 1750 count |
|----------------------|-----------|-----------|------------|------------|
| #7x1-5/8" (3.9x41mm) | ✓         | ✓         | ✓          | ✓          |
| #7x2-1/4" (3.9x57mm) | ✓         | ✓         | ✓          | ✓          |

DeckWise® Metal Joist Deck Screws Are Available As An Option In All DeckWise® Hidden Deck Fastener Kits.

# STAINLESS STEEL COMPOSITE DECK SCREWS

Distributed By DeckWise®

| Sizes Available     | 100 count | 350 count | 1050 count | 1750 count |
|---------------------|-----------|-----------|------------|------------|
| #10x2-1/2" (5x64mm) | ✓         | ✓         | ✓          | ✓          |



Our **305 GRADE COMPOSITE SCREWS** are made to the same high standards as the DeckWise® products you've come to trust. These #10 x 2-1/2" screws are made of strong, corrosion-resistant stainless steel. Painted heads, in your choice of Hardwood Brown, Rosy Brown, Cedar, Composite Gray, or Composite Sand match the most popular colors of composite decking. The advanced auger

point and thread design means these screws perform the way you need it to, ensuring the highest quality deck building results.

These composite deck screws come with a T20 star drive and reverse threads directly below the head which, eliminates unsightly "mushrooming" of the composite decking during installation. Dual threads further down compress fibers and pull deck boards tight to the joist. All done effortlessly without the need for pre-drilling or countersinking.



Hardwood Brown



Rosy Brown



Cedar

#10x2-1/2"



Composite Gray



Composite Sand



- T-20 drive delivers plenty of torque without stripping out the heads
- Head designed to eliminate mushrooming or marring of deck surfaces
- These flutes grab the board and hold it tight to the joist
- Middle threads compress fibers deep in the hole, further helping to reduce mushrooming
- Lower threads grab the joist to additionally hold the board tight to the joist
- Sharp Type 17 auger point cuts fast and clean without splintering or splitting

5 Colormatch Color Choices To Match The Most Popular Colors Of Composite Decking.

# HARDWOOD PLUG KIT COMPLETE SYSTEM

Manufactured By DeckWise®

DeckWise® **HARDWOOD PLUGS** help ensure a truly smooth, flat deck surface.

## HARDWOOD PLUGS SMOOTH

A tapered design makes installation smooth and easy. Available in four different hardwood species to match your decking.



## EXTREME PLUGS™ RIBBED

Most holes are not drilled perfectly round because a hand held drill wobbles during use creating an oblong hole. The EXTREME PLUGS™ tolerance-absorbing rings around the diameter snugly fill oblong holes and provide more surface area for glue to hold tight.



Patent pending



| Sizes Available | Cumaru | Tigerwood | Ipe | Massaranduba |
|-----------------|--------|-----------|-----|--------------|
| 3/8" (9,5mm)    | ✓      | ✓         | ✓   | ✓            |



| Sizes Available | Cumaru | Tigerwood | Garapa | Ipe | Massaranduba |
|-----------------|--------|-----------|--------|-----|--------------|
| 3/8" (9,5mm)    | ✓      | ✓         | ✓      | ✓   | ✓            |
| 10mm            | ✓      | ✓         | ✓      | ✓   | ✓            |
| 12mm            | ✓      | ✓         | ✓      | ✓   | ✓            |

Custom sizes available for our **HARDWOOD & EXTREME PLUGS™**.  
Ask an associate for details, pricing, and minimum quantities.



When hidden deck fastening is NOT the preferred choice, we have the perfect complete hardwood plug kit for face screwing on the market. Our **Master Plug Kit** solves the problem by including your choice of four hardwood plug specie (smooth or our ribbed EXTREME PLUGS™) including a leading brand of wood glue in every kit. The DeckWise® Master Plug Kit fills in the gap where other so-called “complete wood plug kits” leave open.

Finally, builders have the all-in-one system they've been asking for.

## MASTER PLUG KIT

- 350 ct. Or 1,050 ct. Hardwood Plugs
- 350 ct. Or 1,050 ct. DeckWise® #8x2" Stainless Steel Screws
- 1 Complete Drill & Drive™ 3-in-1 Drill Bit Set
- 4 oz. Bottle Of Gorilla Glue®

PLUGS AVAILABLE IN  
100, 350, 1050, & 1750 COUNTS



# HARDWOOD DECK OIL NATURAL FINISH

Distributed By DeckWise®

# Ipe Oil™

Hardwood Deck Finish

## HARDWOOD PROTECTION

**IPE OIL™ HARDWOOD DECK FINISH** is an oil-based natural wood finish specifically designed for use on exterior hardwood decks and hardwood siding. Ipe Oil™ Hardwood Deck Finish provides excellent penetration on the most dense of hardwoods with minimal raising

of the grain. It protects and conditions the wood while maintaining a completely natural appearance. Ipe Oil™ Hardwood Deck Finish is formulated for use on exterior hardwood to enhance the wood's natural beauty resulting in an exceptional outcome.

## PROVIDES:

- Exceptional Penetration
- Natural Grain Enhancement
- Water Repellency
- UV Barrier Protection
- Reduces Chances Of Warps & Cracks



1 Gallon  
(3.785 Liters)

1 Gallon Covers Approx.  
250-300 sq. ft. (23-27m<sup>2</sup>)



Natural

Treated

**WARNING:** Do not leave rags piled up, brushes, rollers, steel wool or waste soaked with Ipe Oil™ unattended. Application material may spontaneously catch fire if improperly discarded. Immediately after each use, place waste materials in a sealed, water-filled metal container. Dispose of empty cans or unused portion in accordance with local, state, and federal regulations.

# 1

SCRUB CLEAN & LET DRY

# 2

APPLY IPE OIL™

# 3

READ ENTIRE LABEL!

WIPE OFF EXCESS

## PRODUCT APPLICATIONS

- Hardwood Decks
- All Exterior Wood Surfaces
- Fences
- Hardwood Siding
- Wood Railings
- Outdoor Furniture

DeckWise® offers a **LIMITED LIABILITY WARRANTY** and warranties Ipe Oil™ meets manufacturing standards and specifications. For more information go to [www.DeckWise.com/Warranty](http://www.DeckWise.com/Warranty).

## HARDWOOD DECK RESTORATION KIT

The DeckWise® **HARDWOOD DECK MAINTENANCE KIT** is a specially assembled 21-piece kit that includes everything Homeowners and Contractors need to maintain the natural color of hardwoods.



Everything is included! Call for details!

# HARDWOOD END GRAIN PROTECTANT

Distributed By DeckWise®

# Ipe Seal™

Hardwood End Grain Sealer

**IPE SEAL™** is a wax emulsion sealant proven to increase the structural integrity of hardwood lumber. Designed to prevent end checking (drying splits) in freshly sawn logs, lumber, turning blanks, and other exposed wood end and face grain. Ipe Seal™ creates

a bond that extends the life of each deck board.

**NOTE:** Due to differences in wood species, variety of climatic conditions, and an individuals' usage methods; results are NOT guaranteed.



1 Quart & 5 Gallon  
(0.95 Liter & 19 Liter)

{ Ensure your **LUMBER** is  
**PROTECTED** from an early stage! }

Untreated End-Cut



Treated With Ipe Seal™



**DO NOT** apply to walking surfaces, this sealer is very slippery.

## LUMBER YARD PROTECTION

DeckWise® has made it easier for lumber mills and yards to protect their wood inventory. Ipe Seal™ is now packaged in a heavy duty 5 gallon plastic pail with a tear-off tab for easy removal.

Don't let your investment in exotic woods or thermally treated lumber disappear with unsightly end checking and splitting. Utilize this 5 gallon bucket for unmatched protection against the weather.



# HARDWOOD CLEANER & BRIGHTENER

Distributed By DeckWise®

## Product Applications:

- Hardwood Decks
- Hardwood Siding
- Fences
- Wood Railings
- Outdoor Furniture
- All Exterior Wood Surfaces



16 oz. (450g)

Smooth Wood: 500 sq. ft. (46 m<sup>2</sup>)



When it comes to deck building, we want long-lasting results. We want the natural wood color to show. However with time, wood gets dirty, mildew infested and loses its luster and natural hardwood appeal.

DeckWise® **WOOD CLEANER** and **WOOD BRIGHTENER** remove dirt and graying in preparation for re-oiling and applying finishes such as Ipe Oil™. These concentrated powders are formulated specially to cleanse and brighten exterior hardwoods safely.



32 oz. (900g)

Smooth Wood: 1000 sq. ft. (92 m<sup>2</sup>)

## PRODUCT INFORMATION

- Cleans and brightens outdoor/exterior wood and removes dirt and graying
- Always clean before oiling and finish staining of wood surfaces
- Biodegradable, easy to handle and safe
- Outstanding for all exterior hardwood maintenance
- Concentrated powders provide maximum strength

For warranty information visit [www.DeckWise.com/Warranty](http://www.DeckWise.com/Warranty) and for installation video visit [www.DeckWise.com/Videos](http://www.DeckWise.com/Videos).

[www.DeckWise.com](http://www.DeckWise.com)

25

# STAINLESS STEEL HIDDEN SIDING FASTENERS

Manufactured By DeckWise®

Install hardwood siding with  
**NO VISIBLE** fasteners  
on the surface.

Crafted from solid 304 Grade stainless steel, DeckWise® **HIDDEN SIDING FASTENERS** create a smooth, sleek and upscale look. The entire system is designed to significantly reduce cupping, twisting, and mold growth due to water penetration. The DeckWise® Hidden Siding Fastener system is perfect for both residential and commercial applications.



| Hidden Siding Fasteners: | 50 count | 175 count | 300 count | 1050 count |
|--------------------------|----------|-----------|-----------|------------|
| Starter Clips            | -        | 12        | 20        | 64         |
| #8x2" Screws             | 50       | 190       | 325       | 1130       |
| T15 Tip(s)               | 1        | 1         | 2         | 3          |



DeckWise®  
Starter Clips



DeckWise®  
Hidden Siding Fasteners  
U.S. Patent# D663,612 S



#8x2" Stainless Steel  
Trim-Head Screws



T15 Driver Tip

Fasten with  
#8x2" DeckWise®  
Stainless Steel  
Deck Screws

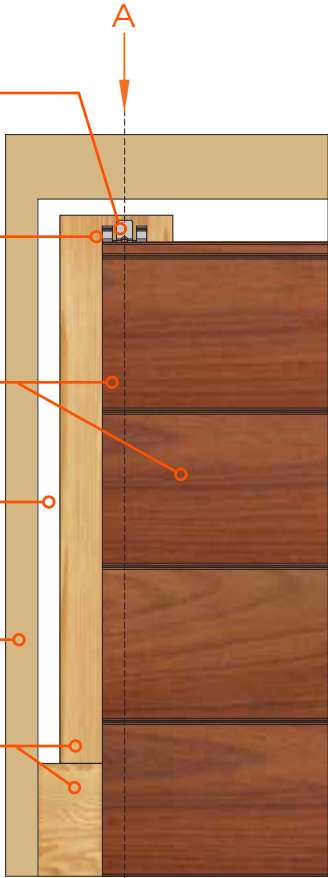
DeckWise® Hidden  
Siding Fastener

Hardwood Siding

House Wrap

1/2" Plywood  
Wall Sheathing

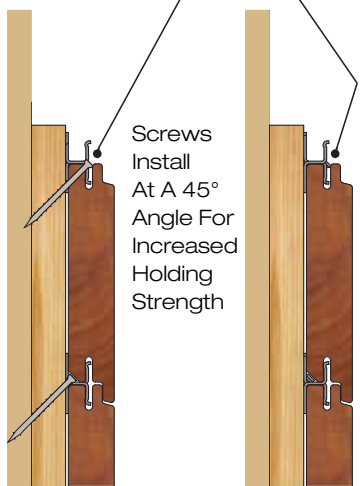
1" x 4" Pressure  
Treated Furring Strips



SECTION A-A

With the secondary affixing screw hole, hanging siding vertically, angular and overhead is a breeze with no worries of loose boards. This new location of the screw penetrates the siding board and secures it to the underlying furring and substructure allowing all types of new and creative designs to become reality!

Screw Location If Hanging  
Siding On The Vertical,  
Angular, Or Overhead



Screws  
Install  
At A 45°  
Angle For  
Increased  
Holding  
Strength

Secondary Screw Hole



DeckWise® Hidden  
Siding Fastener



DeckWise®  
Starter Clips



# HARDWOOD DECK TILE & EDGE TRIM

Manufactured By DeckWise®

The DeckWise® **HARDWOOD DECK TILE SYSTEM** gives Contractors, Architects, DIY Homeowners, and even Renters a quick and easy method to construct semi-permanent decking or to renovate living spaces. The DeckWise® Hardwood Deck Tile System can be tailored to any specific need or application and is perfect for restaurants, rooftops, patios and bar establishments. Any area where space might be limited or where permanent decking cannot be installed.

| Available Deck Tiles | 20" x 20" | 24" x 24" |
|----------------------|-----------|-----------|
| Ipe Anti-slip        | ✓         | -         |
| Ipe Smooth           | ✓         | ✓         |
| Tigerwood            | ✓         | -         |
| Cumaru               | ✓         | -         |

20" x 20" Deck Tiles Net Finished Dimensions: 1-3/16" x 19-5/8" x 19-5/8"  
 24" x 24" Deck Tiles Net Finished Dimensions: 1-11/16" x 23-7/8" x 23-7/8"

- Quick, Easy Installs
- Semi-permanent Decking
- Restaurant & Bar Use
- Add To Any Outdoor Space
- Use Where Space Is Limited
- Create An Outdoor Living Space



Ipe Anti-slip



Ipe Smooth



Tigerwood



Cumaru

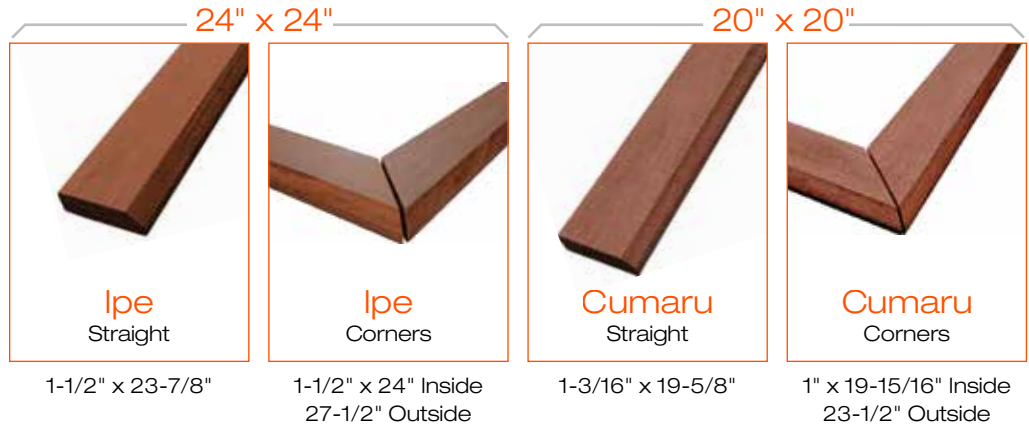
Give deck tile installations a clean, finished look when transitioning to flooring surfaces. Installing **HARDWOOD DECK TILE TRIM** boards will provide a beautiful finished look to any deck tile edge.

Easy to install at the same time deck tiles are laid, or come back later to finish the edges.

Our unique manufacturing process virtually eliminates warping, cracking, and cupping. Deck tile applications demand a durable edge and this Eased Edge is perfect for a gradual decline allowing for smooth transitions.



Each Deck Tile Trim piece comes pre-drilled to accept our patented Deck Tile Connectors. An additional 1/4" spacer in the middle is already added for support during installation.

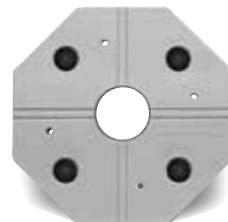
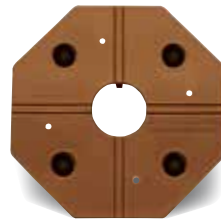
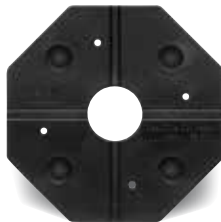


# HARDWOOD DECK TILE CONNECTORS

Manufactured By DeckWise®

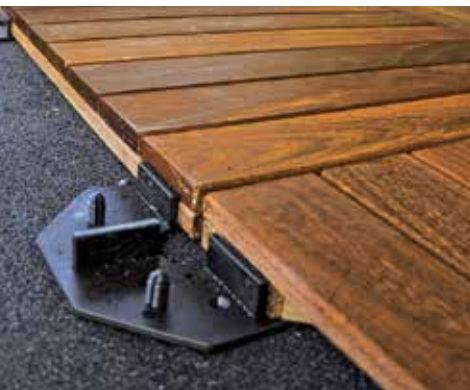
With the DeckWise® **DECK TILE CONNECTOR SYSTEM**, you never need to worry about loose or uneven gaps between tiles. Each patented connector comes with a 3/16" spacer for perfect spacing between every deck tile.

The Deck Tile Connectors have pre-drilled countersink holes ready for fastening to any existing surface or substructure.



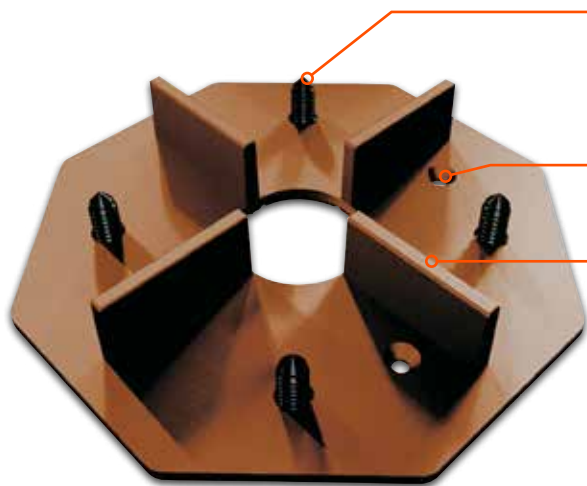
Shadowline Black • Hardwood Brown • Concrete Gray

{ Available in our **3 SIGNATURE COLORS** to help ensure a truly smooth, flat deck surface. }



During installation, use the entire connector; use halves or quartered tile connectors on hidden and exposed edges including corners. Use the edge of the spacer to provide a gap between your new tiled deck and any adjacent structure such as a house, fence, or wall.

Simply score the connector using a utility knife along the molded grooves that mark the edges of the built-in spacers. Bend the edges downward to snap the connector in half. Repeat the same process to use a quarter of the connector to install on the corners of a deck tile layout.



Patented; D665,657

- Corner pins secure tile placement
- Elevates the deck tile from wet underlying subsurfaces to help prevent wood rot
- Chemical & UV resistant polyethylene
- Pre-drilled countersunk holes for easy fastening into a concrete slab or any substructure
- Preset 3/16 inch gap spacing for even gaps between all connecting deck tiles
- Can be divided into halves or quarters easily with cutting tools using the molded score lines
- Center drain hole provides improved drainage for water runoff to prevent pooling in the corners
- Matte texture provides better appearance between gaps



# DECK TILE PEDESTAL ELEVATION SYSTEM

Manufactured By DeckWise®

## ALTITUDES PEDESTAL™ FOR HARDWOOD DECK TILES



The DeckWise®, **ALTITUDES PEDESTAL™ SYSTEM** has been developed to level underutilized sloped roof tops, plazas, concrete patios, and balconies into beautiful usable spaces.

Built from three basic components; a self-leveling swivel head, Schedule 40 PVC, and a screw-to-adjust base, these pedestals are designed to fit tight inside containment walls and be restrained from movement.

Pedestals will support and elevate 24" x 24" Ipe hardwood deck tiles over multiple substrate slopes for a smooth and even deck tile surface with a load bearing capacity of up to 1,200 lbs. per pedestal. Each pedestal has the ability to be set up to 24 inches at their maximum safe height. The self-leveling swivel head has slope compensation from 0 - 5% with precise 3/16 inch spacer tabs

integrated into the head to produce perfect tile gap spacing.

The screw-to-adjust base height setting makes final adjustment levels effortless for perfectly level deck tile surfaces. The Altitudes Pedestal™ System head and base have deck drainage holes for water; are exceptionally stable with 4 in. PVC Schedule 40 Plain End Pipe; and are resistant to freeze thaw cycles from the use of 20% Talc added to a polypropylene resin.



*Limited Warranty. Patented in the USA and other patents pending.*



# ADJUSTABLE SCREW-JACK DECK TILE SELF-LEVELING SYSTEM



**Self-Leveling Head**  
A pivoting head design allows for complete 0-5% slope compensation in all directions.



**Lockit Down Washer™**  
The washer fits into the kerf cut slot on every deck tile corner which in turn locks all tiles to the pedestal.

**Screw-Jack Adjustments**  
Easily adjust base height from a few inches to minute fractional increments with the threaded base.



**PVC Cost Savings**  
The PVC pipe allows for safe height variations up to 24 inches. Overall costs are reduced since there is no need for a fabricated intermediate pedestal support assembly.

# 3-IN-1 DECK BUILDING DRILL BIT SET

Distributed By DeckWise®

# DRILL & DRIVE™



Deck builders quickly realize how much faster and more productive deck installations become once they start using the DeckWise® **Drill & Drive™**

drill bit set. For DIY homeowners and contractors, the Drill & Drive™ system can be used for more than deck building. Its utility makes it the perfect solution for complete deck builds, touch-up jobs, or home renovation projects.

Use with exotic **HARDWOODS**,  
**THERMALLY MODIFIED SOFTWOODS**  
& **COMPOSITE DECKING.**

## Every Drill & Drive™ Kit Includes:

- 1 Quick Change Locking Collar
- 2 1/8" High-speed Drill Bit & 3/8" Countersink Tool with T15 Star Drive Tip
- 3 1/8" Drill Bit & 3/8" Countersink
- 4
- 5
- 6 On-board Hex Key
- 7
- 8
- 9
- 10 T15 Star Drive Tip





## DRILL

The DeckWise® **DRILL & DRIVE™** is a 3-in-1 drill bit set that allows builders to pre-drill, countersink, then flip the bit insert to quickly drive a stainless steel screw into hidden deck fasteners or siding fasteners.

The whole process is up to 3X faster and more efficient than standard drilling, changing bits and driving screws with a separate bit.



## FLIP



Screw gun tip

Adjustable pilot hole and counter-sink drill bit system

Use to **COUNTERSINK** face screws or for **DRILLING PLUG HOLES** with pilot holes all in one step.



## DRIVE



Locking set screws



On-board hex key

### \*Replacement Tips

T15 Star Drive Tip

### \*Replacement Bits

1/8" (3.175 mm) Drill Bit  
& 3/8" (9.525 mm) Countersink

\*Sold Separately

# HARDWOOD BOARD STRAIGHTENING

Manufactured By DeckWise®

# HARDWOOD™ WRENCH

The **HARDWOOD WRENCH™** is the most advanced board straightening tool ever created. Install hidden deck fasteners or hidden siding fasteners with the original cam-locking tool. This is true “One-Man, One-Hand Installation.” With a pushing force close to 1100 lbs., the Hardwood Wrench™ gives you up to 8X more bending

power than other hardwood board straightening tools.

An ergonomic handle and solid stainless steel joist pins give you the ability to straighten boards from both left or right hand directions. This is very useful when installers need to straighten a board on the outside of framing or in hard to reach areas.



## EXPANDABLE & REVERSIBLE

Works with single or double joists up to 3.5" wide and all types of decking, including pre-grooved or standard lumber, composites, and PVC. The reversible handle accommodates multi-directional installation needs.



## VERSATILE DESIGN

The knurled joist pins and handle of the Hardwood Wrench™ are interchangeable and will grab furring strips for hardwood siding. Straighten boards in up to 10 different configurations.

{ The reversible handle and joist pins can be set for **DECKING** or **SIDING**. }

# 1



Position The **HARDWOOD WRENCH™** On The Joist.

# 2



Rotate Handle To Straighten Bowed Boards.

# 3



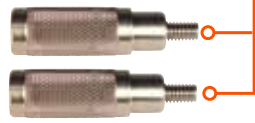
Cam Locks In Place, Holding Boards Straight.

# 1 + 10 + 1100 LBS. = THE ULTIMATE DECK BOARD STRAIGHTENER

**1** TOOL CONFIGURATIONS  
**10** BENDING FORCE  
**1100** LBS.

**LOCKING CAM** holds boards in place while fasteners are installed.

Knurled Stainless Steel Joist Pins For Increased Gripping



Adjustable Stainless Steel Joist Pins For Use On Up To 3.5" Joists

Hard-Anodized Aircraft Grade Aluminum

Solid American Ash Handle

Stainless Steel Multi-Position Handle



The Hardwood Wrench™ tool is easy to operate by a single installer with many benefits over other methods of straightening hardwood boards. Just a simple swing of the Hardwood Wrench™ handle and it bends an extremely bowed hardwood board as straight as an arrow.

Patent Numbers: US 8,936,054; D623,913; EP 2,387,648; 001190433-0001; AU 2010210940; DE 202010001035.5; GB 2,469,964. Other U.S. and International patents pending. For more information visit [www.deckwise.com/patents](http://www.deckwise.com/patents).

# STAINLESS STEEL DECK CABLE PRE-ASSEMBLED KITS

Distributed By DeckWise®

# WiseRail™

Decks are constructed in all sizes and shapes. However, there are only a handful of cable runs that can go on those decks; inside-of-post to inside-of-post, inside-of-post to outside-of-post, and outside-of-post to outside-of-post. The DeckWise® **WISERAIL™ WISECABLE™** kits allow several methods to run cable on any deck.

Every kit is designed to be unobstructive and is an attractive addition to any hardwood or wood deck project. Our invisible hardware hides inside the end

posts so you can't see them. The DeckWise® WiseRail™ Ready-To-Install Kits come pre-packaged with high quality stainless steel cable and sleek stainless steel hardware fittings.

These cable railing kits are easy to install and can be utilized for both outdoor and indoor residential and commercial applications. For DIY enthusiasts, DeckWise® offers these pre-assembled cable railing kits for wood posts in lengths from 5 feet up to 50 feet.



| Kit Series          | Model#       | Straight Run | Stairs |
|---------------------|--------------|--------------|--------|
| WiseCable™ Legacy   | DW300        | ✓            |        |
| WiseCable™ Legacy   | DW500        |              | ✓      |
| WiseCable™ Estate   | DW262/DW262S | ✓            | ✓      |
| WiseCable™ Heritage | DW102/DW102S | ✓            | ✓      |

All kits are sold for wood posts as straight runs or for stairs.

## Pre-Assembled WiseRail™ Kits 5 ft. up to 50 ft.

No matter the cable run length, you will be able to use the non-tensioning push-lock or pull-lock on the hardware to easily secure the cable. All cable railing kits come with stainless steel hardware fittings for ends, all fasteners and washers necessary, 1/8" diameter 1x19 Type 316 stainless steel cable, and installation instructions.

Our stainless steel cable railing kits are formatted specifically for common dimensioned wood end posts without the need for any field swaging tools or equipment. Accessories, such as mounting tabs, cable cutters, and other installation aids and equipment are ordered separately.

{ **WISECABLE™ RAILING KITS** offer flexibility and strength for a sleek, unobstructive view. }



### Equipment & Accessories Sold Separately

- Cable Gripping Pliers
- Post Protector Tube
- Cable Release Tool
- Hanger Bolt Driver
- Cut-off Wheel
- Cable Cutter
- Cable Braces
- SS End Caps

# DECK BOARD SPACER GAP TOOLS

Manufactured By DeckWise®

# WiseGuides™

**WISEGUIDES™** Deck board spacers by DeckWise® are a great addition to any deck building toolbox. The versatile design allows builders to use these board spacers in any position between boards. With their bright color-coded design, finding the right spacer is now much easier than the other generic, disposable

brands on the market. The special V-blade design of DeckWise® board spacers prevent denting and marring of hardwood or composite boards when pressed together during installation. Moving laterally in between boards is a breeze thanks to the spacer's unique handle.



Use with **EXOTIC HARDWOODS, THERMALLY MODIFIED SOFTWOODS & COMPOSITE DECKING** ...any decking material!



Sizes Available



1/8"  
(3,2mm)



5/32"  
(4mm)



13/64"  
(5,2mm)



1/4"  
(6,4mm)



5/16"  
(8mm)

| Sizes Available           | 1/8"<br>(3,2mm) | 5/32"<br>(4mm) | 13/64"<br>(5,2mm) | 1/4"<br>(6,4mm) | 5/16"<br>(8mm) |
|---------------------------|-----------------|----------------|-------------------|-----------------|----------------|
| 6 pack: 6 of any 1 size   | ✓               | ✓              | ✓                 | ✓               | ✓              |
| 20 pack: 20 of any 1 size | ✓               | ✓              | ✓                 | ✓               | ✓              |
| 20 pack: 4 of each size   | ✓               | ✓              | ✓                 | ✓               | ✓              |



# SELF-ADHESIVE FLASHING BARRIER TAPE

Distributed By DeckWise®

# WiseWrap™

When **WISEWRAP™ JOISTTAPE™** flashing tape is applied to the top of deck joists or **LEDGERTAPE™** over ledger boards, it creates a self-sealing waterproof barrier that helps prevent decay and wood rot. Nails, screws and hardware are sealed preventing the penetration of water.



**WiseWrap™**  
**JOISTTAPE™**

3" x 75' Roll

JoistTape™ stops wood decay when deck screws or nails penetrate the deck boards, piercing the joist sub-framing below. Use as a noise dampening barrier as well.

{ Use on  
**FENCE  
POSTS!** }



**WiseWrap™**  
**LEDGERTAPE™**

12" x 25' Roll

When applied over ledger boards or around wooden posts, LedgerTape™ creates a waterproof membrane that prevents wood rot and decay caused by ground moisture.

For warranty information visit [www.DeckWise.com/Warranty](http://www.DeckWise.com/Warranty) and for installation video visit [www.DeckWise.com/videos](http://www.DeckWise.com/videos).

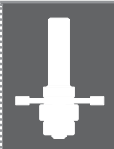
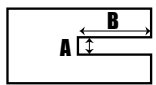
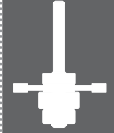
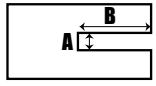
# DECKING TOOLS & ACCESSORIES

Distributed By DeckWise®

## ROUTER BITS

These **4-WING SLOT CUTTER BITS** have been specifically designed to create a perfectly symmetrical groove to accept Ipe Clip® Hidden Deck Fasteners. The 4-wing design provides a smooth cut for creating slots and grooves in decking material including exotic hardwoods, thermally treated softwoods, and composites. Fits most standard router devices.



| Sizes Available               | 5/32" 4-WING SLOT CUTTER BITS   |   |  |
|-------------------------------|---|---|--|
| <b>1/2" Arbor</b><br>(12,7mm) |  |  | Blade diameter - 1-7/8"<br>Slot Width (A) - 5/32"<br>Slot Depth (B) - 1/2" |
| <b>1/4" Arbor</b><br>(6,4mm)  |  |  | Blade diameter - 1-7/8"<br>Slot Width (A) - 5/32"<br>Slot Depth (B) - 1/2" |

\*Safety details at [www.DeckWise.com/Safety](http://www.DeckWise.com/Safety).

Do not exceed 18,000 RPM for safety.



# DRILL BITS & TIPS



1/8" High Speed Drill Bit

| Sizes Available   | T10 | T15 | T20 | T25 | R1 | R2 |
|-------------------|-----|-----|-----|-----|----|----|
| 1" Star Drive Tip | ✓   | ✓   | ✓   | ✓   | -  | -  |
| 2" Star Drive Tip | ✓   | ✓   | ✓   | ✓   | -  | -  |
| 1" Square Tip     | -   | -   | -   | -   | ✓  | ✓  |



T10 Star Drive Tip



R1 Square Drive Tip



T15 Star Drive Tip



R2 Square Drive Tip



T20 Star Drive Tip



ttap® T15 Star Drive Tip



T25 Star Drive Tip

\* TTAP® is a registered trademark of Ttap Drive AS.

## ADHESIVES

For use with hardwood plugs.

4oz. & 36oz.  
(118ml & 1065ml)



## PREMIUM HARDWOOD PLUG CUTTER



3/8"

1/2"

Conveniently cut hardwood plugs on the job site.

- Anti-skate design
- Self centering Guide Pin
- Use with Hand-Held Drill or Drill Press

## HARDWOOD POST CAPS



| Sizes Available          | Ipe | Tigerwood | Cumaru |
|--------------------------|-----|-----------|--------|
| 1-1/2" x 5-1/2" x 5-1/2" | ✓   | ✓         | ✓      |
| 1-1/2" x 7-1/4" x 7-1/4" | ✓   | ✓         | ✓      |
| 1-1/2" x 9-1/4" x 9-1/4" | ✓   | ✓         | ✓      |



Manufacturers of Hidden Deck Fasteners & Accessories

NORTH AMERICAN  
ADMINISTRATION &  
MANUFACTURING FACILITY

DeckWise®  
The Ipe Clip® Fastener Company  
2111 58th Ave East  
Bradenton, FL 34203

Phone Number: 941-896-9851  
Toll Free Number: 866-427-2547  
Fax Number: 941-896-9858

EUROPEAN SALES OFFICE

DeckWise® International B.V.  
Nijverheidsweg Noord 60-2  
3812 PM Amersfoort  
The Netherlands

VAT Number: NL8514.52.863.B.01.  
Chamber Of Commerce  
Number: 54820634

Phone Number: + 31 33 469 1037  
Fax Number: + 31 33 448 0525

AMERICAN PRIDE AMERICAN QUALITY AMERICAN MADE

AMERICAN PRIDE AMERICAN QUALITY AMERICAN MADE

AMERICAN PRIDE AMERICAN QUALITY AMERICAN MADE

AMERICAN PRIDE AMERICAN QUALITY AMERICAN MADE

AMERICAN PRIDE AMERICAN QUALITY AMERICAN MADE

AMERICAN PRIDE AMERICAN QUALITY AMERICAN MADE



[www.DeckWise.com](http://www.DeckWise.com)

©2017 DeckWise®, The Ipe Clip® Fastener Company, LLC. All rights reserved.  
Ipe Clip® is manufactured by DeckWise®.